

NIKSAN

Defence Industry

PCP Air Rifles

User Manual

ELF / ARCHERO / ESCALADE / OZARK / TACTO



Read User Manual

INDEX

About Niksan Defence	1
About Your Gun	1
Warnings	2/3/4
PCP Air Rifles	5/6/7/8/9
General Information	10/11
Disassembling The Barrel	11
Filling The Magazine	12
Self Indexing Magazine	13
Receiver & Mechanism	14
Your Notes and Records	15

About Niksan Defence

Niksan Defence company entered the industry as a modest, small business in the 1970s. The company produced many types of hunting products especially shotguns, blank-signal pistols and fishing products. In the early 2000s, the company supplied parts to almost all the companies in our industry with the plastic injection machines acquired and the molds it has produced in-house.

Niksan Defence company, closely following the changing and developing technology, has taken firm steps towards, growth and factorization by adapting and innovative and devoted business model and making investments especially in the R&D department.

The company, serving its industry with more than 90 high technology plastic machines and CNC machines 2 factories with 11.000 square meters closed area that were built in Beyşehir Industrial Zone and Üzümlü in the years of 2015-2016, also with more than 800 molds of its own and 185 experienced employees, is realizing projects with TSK (Turkish Army) and the other armies with the help of high-level security certifications and special productions permits it owned.

Niksan Defence company, which celebrates its 40th year under the leadership of our founder, master, ancestor Mr.Niyazi KUZ will continue its investments new projects, and growth without slowing down.

About Your Gun

All of the components of your airgun have been designed and tested to meet all of the international standards by fully automatic cnc machines using Turkish and Italian steels at the highest quality standards of Niksan Defence.

Note: Whis user manual has been prepared to cover all pcp models. You may find remarks and specifications that do not belong to your airgun.

The information and details in this user manual are valid fort he period during which this was printed and “Niksan Defence” reserves. The right to change or cancel the details related to any model without any obligation or warning.

WARNING !

CAUTION !

In case of surface parallel or sky shoots, you may cause damage to 1000 yards (1km) around you with the effect of the acceleration or free fall effect.

CAUTION !

This is not a toy. Only persons of at least 18 years old with mental and physical capability can use it.

CAUTION !

Charge with the air that you are sure to have been dried with electrical or granule type dryer. In case of filling with original pump avoid rapid movements. Otherwise, lower side of the pump may go out of the ideal working temperature and sweat which will cause humid charging of your air tube.

CAUTION !

Your airgun's safety should always be on (safety active) and you should turn off the safety only right before the ideal source line to the target. (Safety passive)

WARNING !



CAUTION !

Do not force your air tank to open (Demount). Do not use any tank that has been tampered due to falling or various reasons.



CAUTION !

Obey the laws, regulations and rules that are in place in the relevant country, province, district or hunting ground whether private or public.

Always Remember The Following Precautions

- Try not to go shooting alone.
- Never use the airgun if you are intoxicated or under the influence of drugs.
- There is high pressure air inside your shotgun that is charged with the logic of squeezing.
- Even if there is no pressure sign on the manometer, never disassemble the pressurized tube.
- Bring the safety on before interrupting your shotgun in any way and never point the barrel to yourself under any circumstance.
- Only use cotton dry cloth to clean any dirt inside the barrel for various reasons (humidity, dust, etc.)
- You may observe that the groupment performance of the shotgun has reduced if you interrupt your shotgun due to dirt barrel outside the instructions given by the manufacturer (hard objects, cleaning with gear type mineral and synthetic oils, etc.) and cause your shotgun to go out of the warranty.

Always Remember The Following Precautions

- In your shotgun, some of the parts work with larger tolerances while others are narrower. For this reason, use only synthetic or mineral base oil with high viscosity not creating filling effect.
- Your shotgun has been designed not to cause any sliding effect with corrosion.
- Various acids and bleaches inside the anti-corrosive oils might damage the tightness equipment and some of the covered surfaces.
- Calculate the areas where pellet might reach in each of your shoot on or off the target. This is extremely important for the safety of yourself and also living and non-living objects around you.
- Do not run or jump with a loaded shotgun. Your barrel should always point a safe distance while jumping through the ditches.
- Always keep your shotgun at safety.
- In case of long storage of your shotgun, always keep your shotgun dry-fired. (The spring type equipment that are always kept tight might undergo tightening or reduction in case of long storage)
- We do not recommend disassembling and reassembling the shotgun unless necessary. Do not disassemble or replace the original parts of your shotgun under any circumstance. Please contact the factory, general distributor or the authorized services of Niksan Defence throughout Turkey.
- We especially recommended you to act as if your shotgun is always loaded. Even if you are in an empty land of forest, make sure that safety is on and your barrel points a safe direction. The owner of the shotgun shall be responsible for any damage.

**THIS REMINDER HAS BEEN WRITTEN TO KEEP YOU AWAY FROM MISTAKES
THAT MIGHT CAUSE INJURIES AND EVEN DEATH.**



CAUTION!

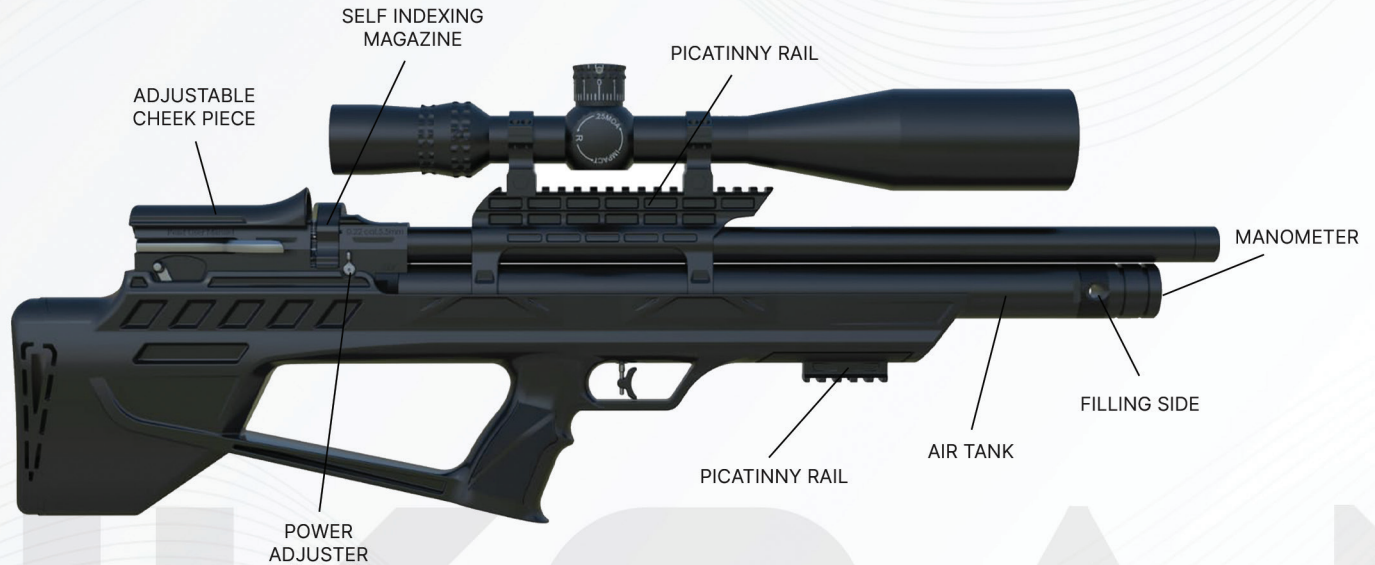
DANGER OF EXPLOSION!

The air tank poses the explosion risk if it gets heated subject to sunray for extended period of time.
(Max. +40° / Min. -05°)

Otherwise, the airgun should be left to cool down in a cool environment.
Recommended to be transported under maximum 80 bars pressure during flights.

NIKSAN

Defence Industry

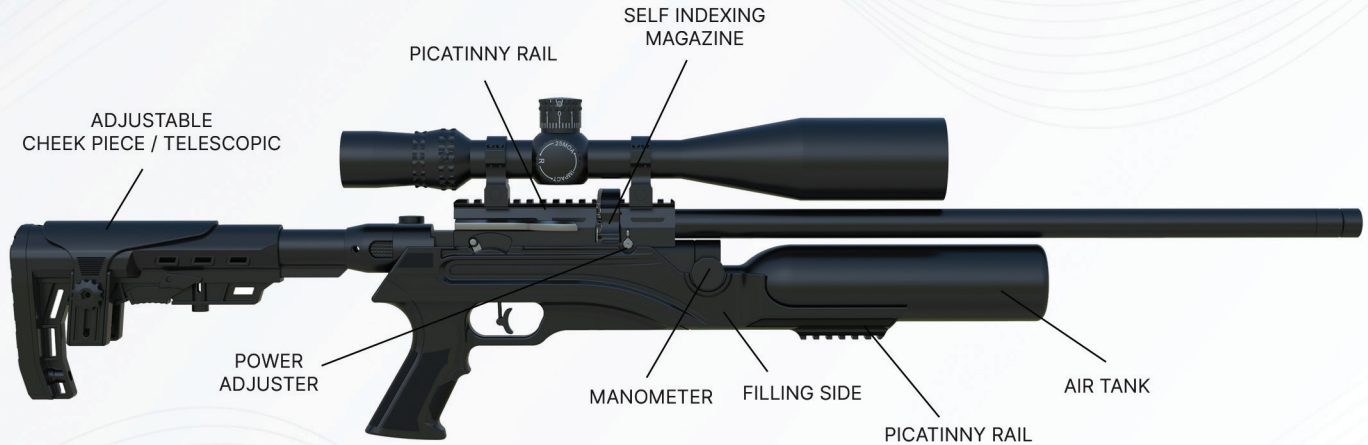


ELF

PCP Air Rifle

NIKSAN

Defence Industry

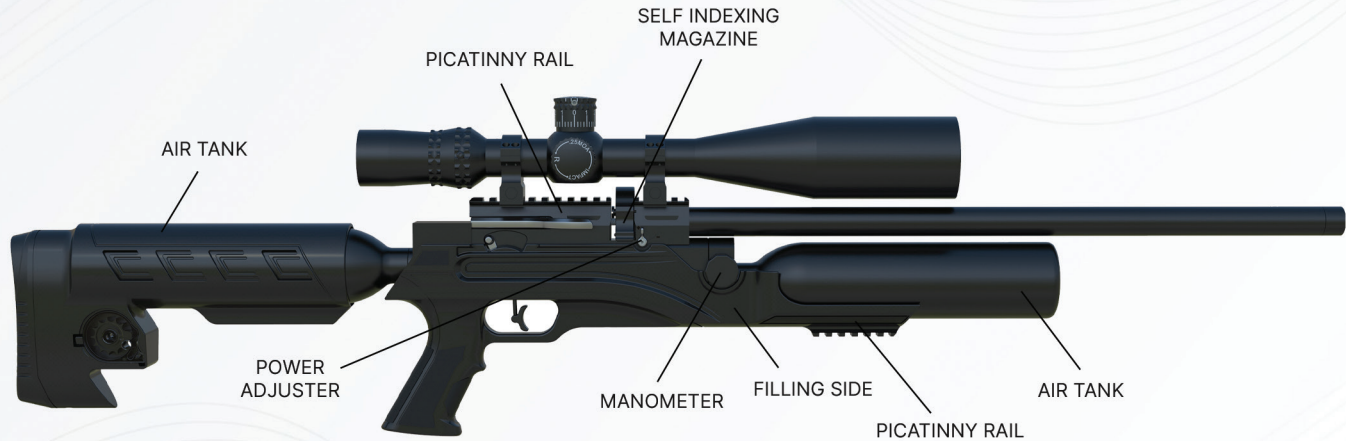


OZARK

PCP Air Rifle

NIKSAN

Defence Industry

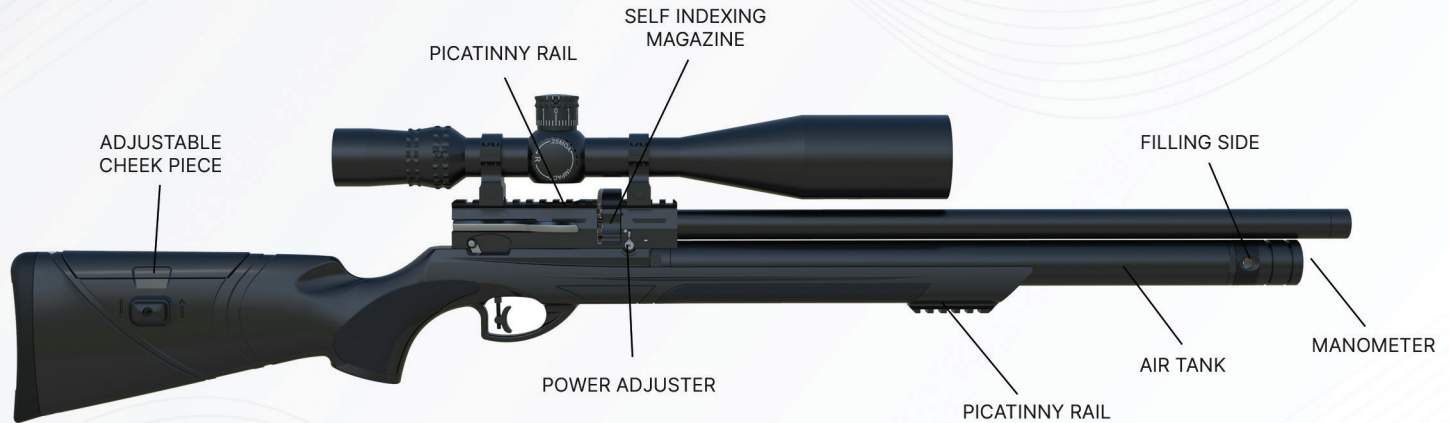


ESCALADE

PCP Air Rifle

NIKSAN

Defence Industry

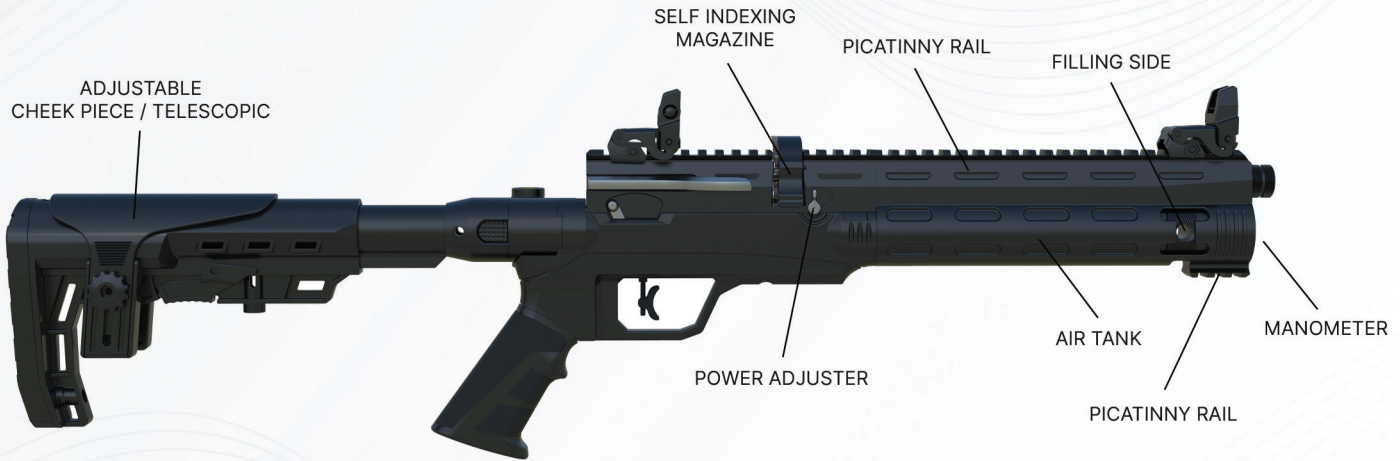


ARCHERO

PCP Air Rifle

NIKSAN

Defence Industry



TACTO

PCP Air Rifle

GENERAL INFORMATION



SEPARATING THE BODY

You can remove easily with the allen.



SEPARATING THE BODY

"F" Position means ready to fire.
"S" Position means blocked the fire.



POWER ADJUSTER

Power adjuster valve can only be adjusted from the left side.



MAGAZINE

Remove from right side the magazine that has run out of pellet will not permit new charge.



FILLING THE AIR TANK

The filling outlet is located at the tip of the air tube. Assemble the hose with the filling jack that is provided free of charge inside the box as a standard. If you hear sound of air during the first filling, move the jack and enable the orings to be air-proof. (if the leakage continues, orings might be deformed)

GENERAL INFORMATION



BARREL INNER & OUTER O RING

Barrel tightness orings are three totally and 2 of them are outside while 1 is inside. In case of deformation, please replace with the spare orings that are available inside the packaging.



DISASSEMBLING THE BARREL



Dissassembly the barrel ring from both sides with the allen.



Remove the air stopper.



Remove the silencer.



Remove the barrel slowly.

FILLING THE MAGAZINE



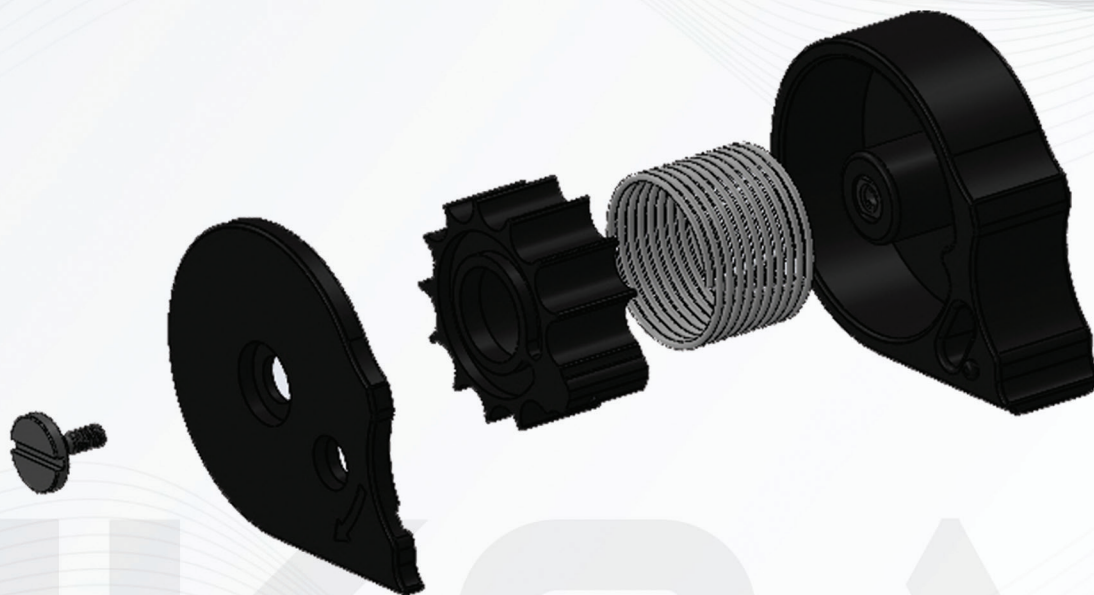
Rotate the idle front cover in the direction of the arrow (clockwise).



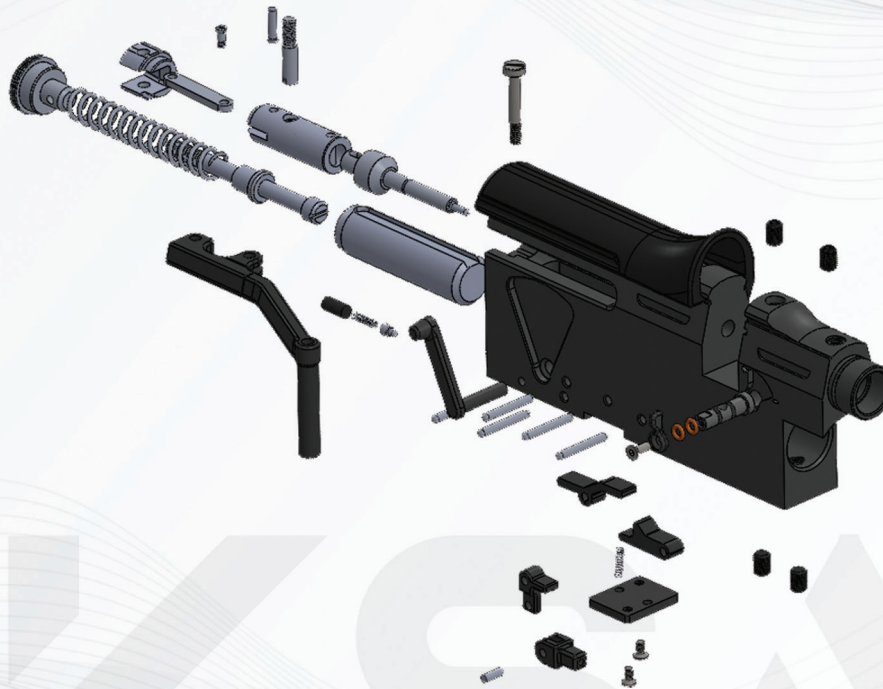
Once the glass cover hits the last point, prevent the pushing force of the spring and switch the pellet to the first bed. Once the first pellet prevents the rotation of the inner turret, move the glass cover on the contrary direction and fill the turret.

Note: It will prevent the assembly of turret system, do not force.

SELF INDEXING MAGAZINE



RECEIVER & MECHANISM





NIKSAN

Defence Industry

NIKSAN

Defence Industry



Üzümlü Mahallesi Alparslan Türkeş Caddesi No:42/A
Beşehir / KONYA / TURKEY

+90 332 524 66 58

info@niksandefence.com - export@niksandefence.com
www.niksandefence.com